

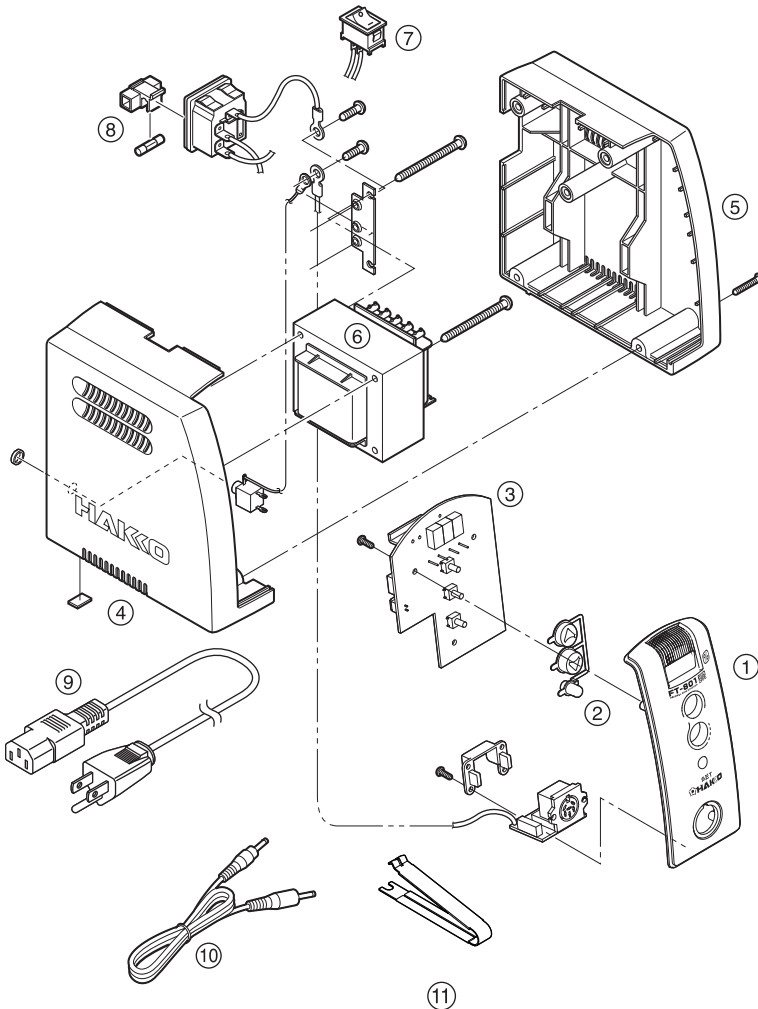
HAKKO FT-801

THERMAL WIRE STRIPPER

THERMAL WIRE STRIPPER

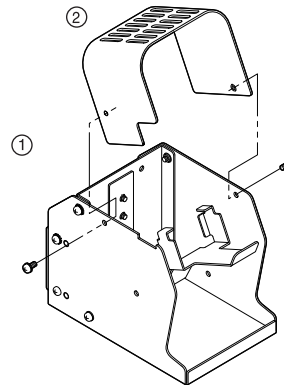
Maintenance & Checking

1. PARTS LIST



● HAKKO FT-801 Station

Item No.	Part No.	Part Name	Specifications
①	B3645	Front panel	With display window
②	B3647	Button	
③	B3646	P.W.B.	
④	B3255	Case/ Left	With rubber feet and cushions
⑤	B2978	Case/ Right	With rubber feet
⑥	B2836	Transformer	120V
	B2984	Transformer	220V
	B2985	Transformer	230V
	B3067	Transformer	240V
⑦	B2852	Power switch	
⑧	B3011	Fuse/ 250V-2A	100-120V
	B2987	Fuse/ 250V-1A	220-240V
⑨	B2419	Power cord, 3 wired cord & American plug	120V U.S.A.
	B2421	Power cord, 3 wired cord but no plug	
	B2422	Power cord, 3 wired cord & BS plug	India
	B2424	Power cord, 3 wired cord & European plug	230V CE
	B2436	Power cord, 3 wired cord & Chinese plug	China
	B3550	Power cord, 3 wired cord & SI plug	
⑩	B3253	Connecting cable	
⑪	B3648	Blade removal tool	

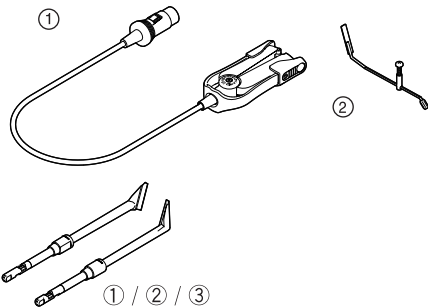


● Handpiece holder

Item No.	Part No.	Part Name	Specifications
①②	C5012	Handpiece holder	
②	B3649	Handpiece holder cover	With screw

● HAKKO FT-8002 Wire stripper

Item No.	Part No.	Part Name	Specifications
①	FT8002-01	HAKKO FT-8002	24V-64W
②	B5086	Lead adjuster	With screw



● Blade (Option)

Item No.	Part No.	Part Name	Specifications
①	G2-1601	Wire stripper blade	Straight
②	G2-1602	Wire stripper blade	18-24 AWG
③	G2-1603	Wire stripper blade	26-36 AWG

