

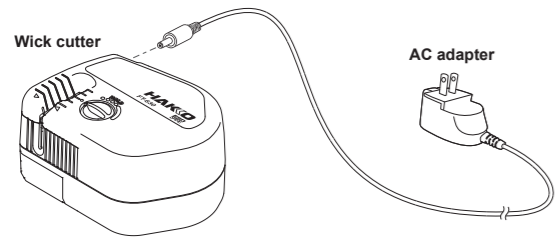
WICK CUTTER FT-630 Instruction Manual

Thank you for purchasing a HAKKO product.
This product is a solder wick cutter.
Make sure to read this manual before using the product, and keep it in a safe place for future reference.

1. Set contents and assembly

Confirm the contents before use.
*This product may differ from the following:

- Wick cutter.....1
- Instruction manual (this document)1
- *AC adapter.....1



See the web page for the product information such as replacement parts/options.
https://www.hakko.com/doc_ft630-e

2. Specifications

Rating	DC 24 V 170 mA
Compatible wick width	0.7 to 3.8 mm (0.03 to 0.15 in)
Cutting length	2.5 to 30 mm (0.10 to 1.18 in)
Dimensions	100 (W) × 61 (H) × 92 (D) mm (3.9 × 2.4 × 3.6 in)
Weight	280 g (9.9 oz)

- This product is applied with electrostatic countermeasures.
- Please note that specifications and appearance are subject to change without notice in the interest of product improvement.

CAUTION

Handling precautions for ESD Safe products
This product contains electrostatic countermeasures, so please use the following precautions:

1. Not all plastic parts are insulators, they may be conductive. Be careful not to expose live electrical parts or damage insulating materials when performing repairs or replacing parts.
2. Be sure the product is grounded before use.

3. Warnings, cautions, and notes

Be sure to observe the following precautions to ensure safety.

WARNING

- This appliance can be used by children aged from 8 years and above and persons with reduced physical, sensory or mental capabilities or lack of experience and knowledge if they have been given supervision or instruction concerning use of the appliance in a safe way and understand the hazards involved.
- Children shall not play with the appliance.
- Cleaning and user maintenance shall not be made by children without supervision.
- When this product is not used for a long time, or before repairing or cleaning this product, disconnect the AC adapter plug from the power outlet.

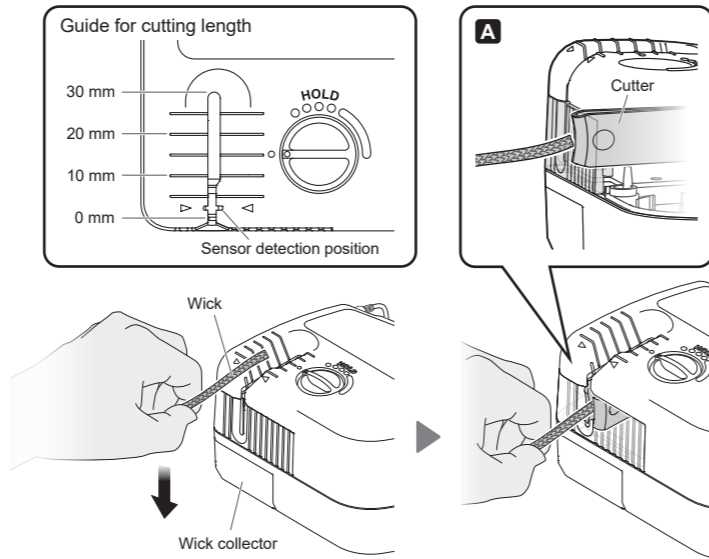
Failure to observe the following precautions to ensure safety might result in electric shock, malfunction or other trouble.

CAUTION

- Before using this product, fully read all descriptions in this document.
- Cutter blade is sharp. Handle with care. Always keep blade away from fingers.
- Use only for cutting solder wick. Do not use for any other purpose.
- Before use, always install the front cover and wick collector.
- Hold the unit, not the AC adapter plug, when carrying the wick cutter.
- This product is for indoor use only. Do not use it outdoors.
- Use genuine HAKKO parts for included parts/replacement parts/options.
- Use only the AC adapter that is included in the set. Do not use other AC adapters.
- Do not modify this product.
- When inserting and removing the plug, hold the plug body and do not pull the cord.
- Do not allow this product to get wet. Also, do not handle it with wet hands.
- Do not perform any other actions that may be considered to be dangerous.

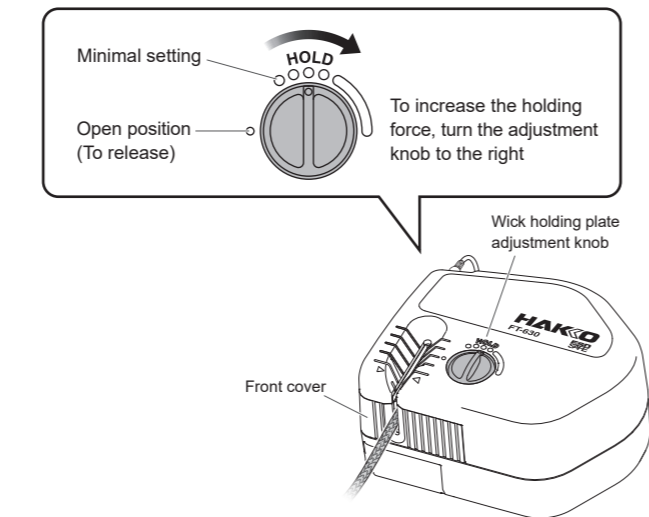
4. Operation

- (1) Plug the AC adapter into the outlet.
- (2) Insert the wick into the cutting slot **A** to the desired length.
- (3) The sensor will detect the wick insertion and cut it.
- (4) Remove the wick collector to access the cut pieces.



To hold the wick after cutting

Turn the wick holding plate adjustment knob to the memory marks before cutting. Use the knob to adjust the holding force as needed.
* If the tip of the wick is frayed, reduce the holding force.



- NOTE**
- Remove the cuttings frequently.
 - Do not turn the unit over when removing the wick collector.
 - Do not use without the front cover.
 - Cut only solder wick.

5. Maintenance

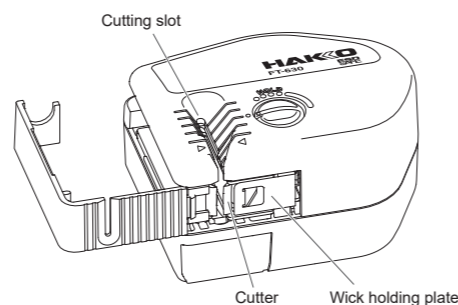
CAUTION

Always unplug the AC adapter from the unit before internal inspection or part replacement.

Periodic maintenance

Cleaning

Wipe off any flux residue from the cutting slot, front cover, cutter, and wick holding plate using industrial alcohol.

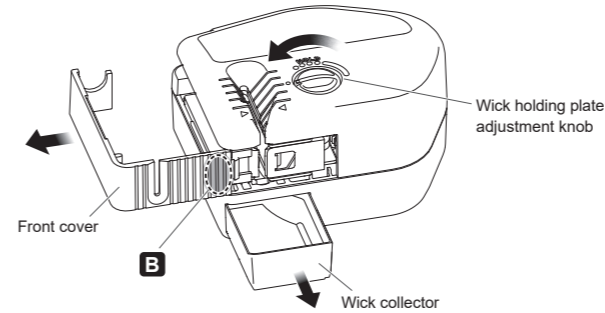


5. Maintenance (cont'd)

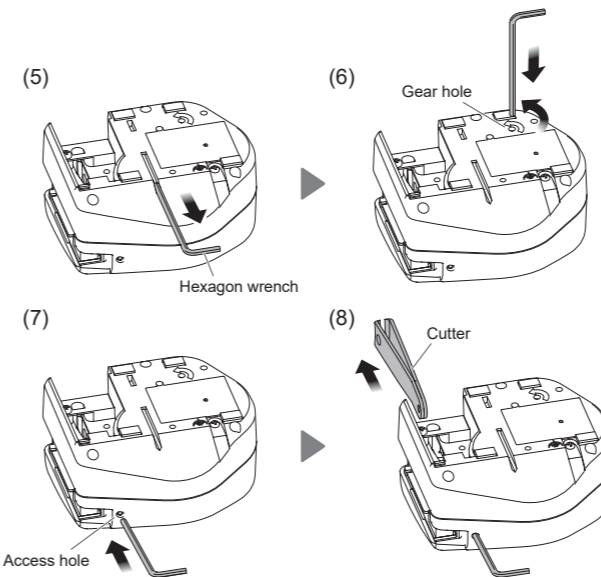
Cutter replacement

To remove the cutter

- (1) Unplug the AC adapter from the unit.
- (2) Remove the wick collector.
- (3) While holding **B**, remove the front cover.
- (4) Return the wick holding plate adjustment knob to the open position.



- (5) Remove the hexagon wrench stored on the bottom of the unit.
- (6) Insert the hexagon wrench into the gear hole and rotate the wrench about 6 times in the direction of the arrow. The blades of the cutter open.
- (7) Insert the hexagon wrench into the access hole at the back and push out the cutter.
- (8) Remove the cutter from the unit.



6. Troubleshooting

CAUTION

Always unplug the AC adapter from the unit before internal inspection or part replacement.

The unit is not working.	Is the AC adapter connected properly?	▶ Connect the AC adapter correctly.
The cutter is not cutting the wick.	Are the blades of the cutter damaged or worn?	▶ Replace the cutter.
The sensor is not detecting the wick.	Is the wick inserted far enough into the cutting slot?	▶ Insert the wick to the point where the sensor can detect it.

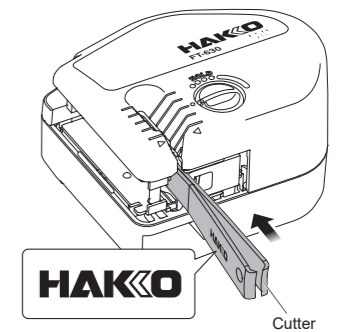
If you cannot find a solution in this manual, or if another problem occurs, please contact the retailer where you purchased the product.

To install the cutter

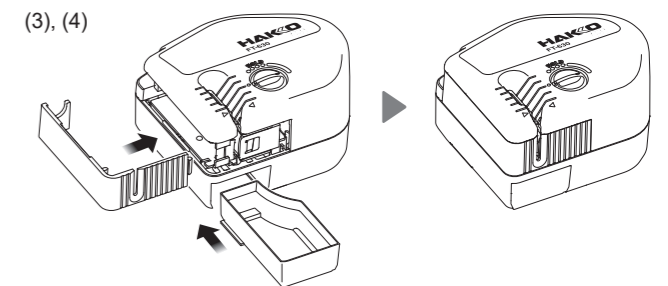
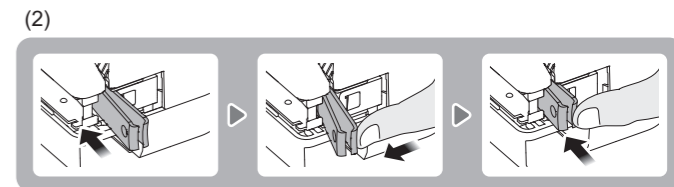
CAUTION

- Cutter is sharp. Handle with care. Be careful not to cut fingers when inserting the cutter into the unit.
- Do not force the cutter in if it does not fit.

- (1) Insert the cutter into the unit in the orientation shown below.



- (2) Press the one side of the blade toward the other as shown below and insert the cutter all the way into the unit.
- (3) Install the front cover.
- (4) Install the wick collector.



WICK CUTTER

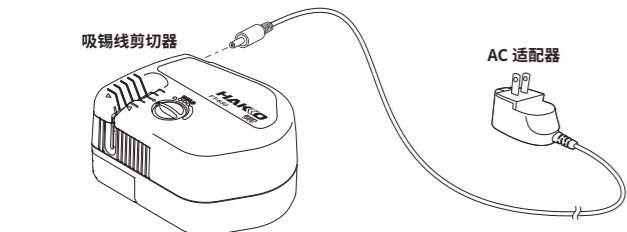
FT-630

使用说明书 日本白光牌

感谢您购买 HAKKO (日本白光牌) 产品。
本产品为吸锡线剪线器。
使用本产品前请务必阅读本说明书，并存放于安全场所以供日后参考。

1. 内容和组装

吸锡线剪线器 1
*AC 适配器 1



有关更换零件 / 选项等产品资讯，请参阅网页。
https://www.hakko.com/doc_ft630-e

2. 规格

额定	DC 24 V 170 mA
对应吸锡线宽度	0.7 至 3.8 mm
剪切长度	2.5 至 30 mm
外观尺寸	100 (宽) × 61 (高) × 92 (深) mm
重量	280 g

- 本产品适用于静电对策。
- 请注意，规格和外观有可能改良变更，恕不另行通知。

注意

ESD 安全产品使用注意事项
本产品为防静电产品，请严格遵守以下注意事项。
1. 塑料部件使用的是导电塑料，不是绝缘体。修理或更换零件时，请小心不要使带电的电器零件暴露，也不要损坏绝缘材料。
2. 使用前，请确保产品已接地。

3. 警告、注意、以及注记

为确保安全，请务必遵守以下预防措施。

警告

- 若年满 8 岁的儿童，及体力、感官或精神能力较低，或缺乏经验与知识之人士获得安全使用本装置的特定监督或指示，且了解相关危险，则可使用本装置。
- 儿童不应拿本装置玩耍。
- 儿童不应未在监督下进行清洁与使用者维护。
- 如果长时间不使用本产品、或者在修理或清洁本产品之前，请将 AC 适配器插头从电源插座拔下。

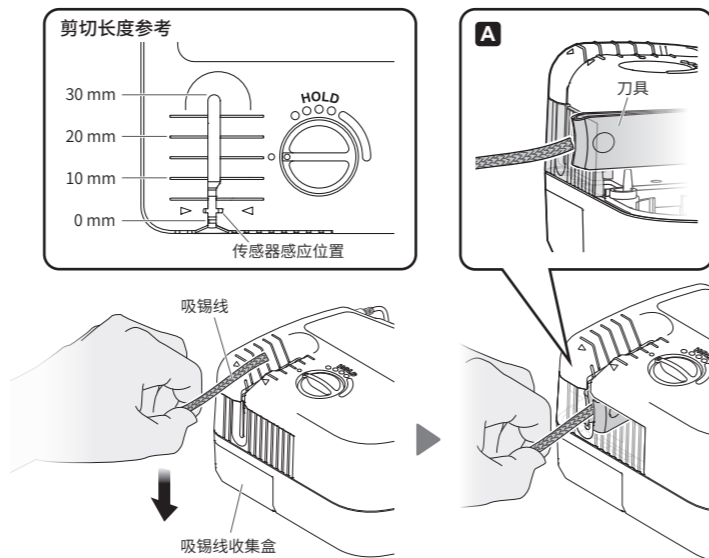
不遵守以下预防措施以确保安全可能会导致触电、故障或其他麻烦。

注意

- 使用本产品之前，请完整阅读本文件中的所有说明。
- 刀具锋利，小心不要割伤手。
- 请勿用于吸锡线剪线器以外的用途。
- 使用时，请务必安装前护盖和吸锡线收集盒。
- 搬运吸锡线剪线器时，请握住主机，而不是 AC 适配器插头。
- 本产品仅限室内使用。请勿在户外使用。
- 请仅使用原厂的 HAKKO 附属品、更换零件、选购部件。
- 仅使用随机附带的 AC 适配器。请勿使用其他 AC 适配器。
- 请勿改装本产品。
- 插入和拔出插头时，请抓住插头主体，请勿拉拽电线。
- 请勿弄湿本产品。也请勿用湿手搬动。
- 请勿进行任何其他可能被视为危险的动作。

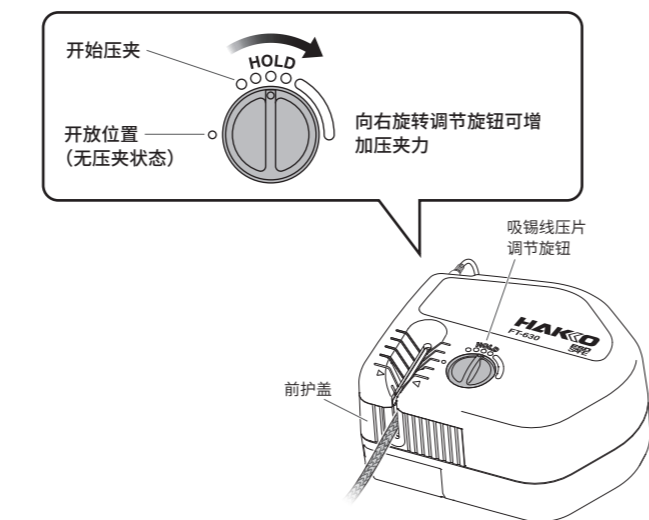
4. 使用方法

- (1) 将 AC 适配器的电源插头插入电源插座。
- (2) 将吸锡线按所需长度插入刀具位置 **A**。
- (3) 当吸锡线插入时，传感器发生反应，吸锡线被切断。
- (4) 拉出吸锡线收集盒，取出剪切好的吸锡线。



■ 如果想在剪切后夹住吸锡线时

将吸锡线压片调节旋钮旋转到刻度标记处，然后进行剪切。视需求调整至所需的强度。
※ 如果吸锡线的前端散开，请减少压夹强度。



- 注记**
- 请经常取出剪切好的吸锡线。
 - 取出吸锡线收集盒时，请勿将主机翻转过来。
 - 请勿在前护盖拆下的情况下操作本产品。
 - 请勿剪切吸锡线以外的任何东西。

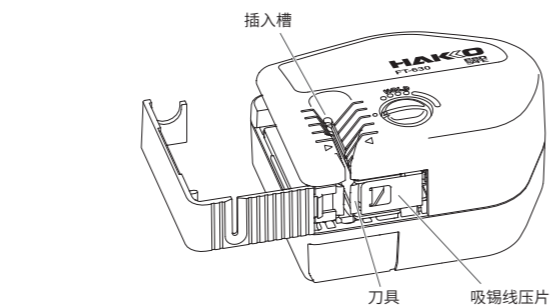
5. 维护

注意

检查内部或更换部件之前，请务必从主机上拔下 AC 适配器的插头。

■ 定期维护

清洁
如果插入槽、前护盖、刀具或吸锡线压片上沾有助焊剂，请用工业酒精将其清除。

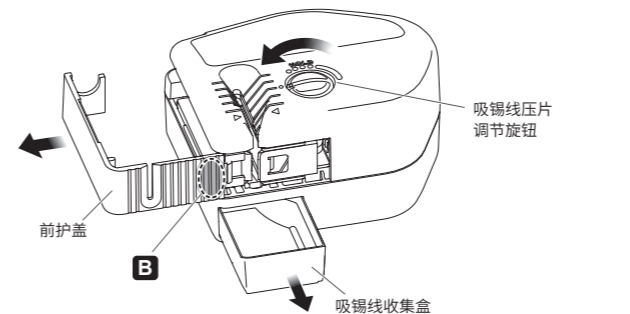


5. 维护 (续)

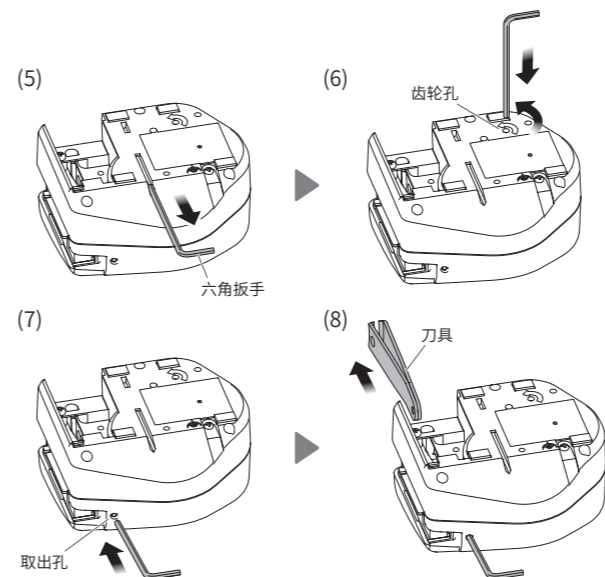
■ 更换刀具

卸下刀具

- (1) 从主机上拔下 AC 适配器的插头。
- (2) 取出吸锡线收集盒。
- (3) 按住 **B** 的同时取下前护盖。
- (4) 将吸锡线压片调节旋钮返回到开放位置。



- (5) 拆下主机背面收纳的六角扳手。
- (6) 将六角扳手插入齿轮孔中，并按箭头方向旋转约 6 圈。刀具的刀片将会打开。
- (7) 将六角扳手插入后部取出孔，将刀具推出。
- (8) 当刀具从主机中出来时，将其拉出。



6. 故障排除

注意	
检查内部或更换部件之前，请务必从主机上拔下 AC 适配器的插头。	
设备不工作。	AC 适配器的插头是否插好? ▶ 正确连接 AC 适配器。
无法剪切。	刀具是否损坏或磨损? ▶ 请更换刀具。
传感器没有反应。	是否完全插入插入槽内? ▶ 将吸锡线插入传感器可以检测到的位置。

若在本说明书上找不到解决方案，或发生其他问题，请联络销售您产品的零售商。

中国 RoHS：产品中有害物质的名称及含量

部件名称	有害物质					
	铅 (Pb)	汞 (Hg)	镉 (Cd)	六价铬 (Cr (VI))	多溴联苯 (PBB)	多溴二苯醚 (PBDE)
电路板	×	○	○	○	○	○
AC 适配器	×	○	○	○	○	○

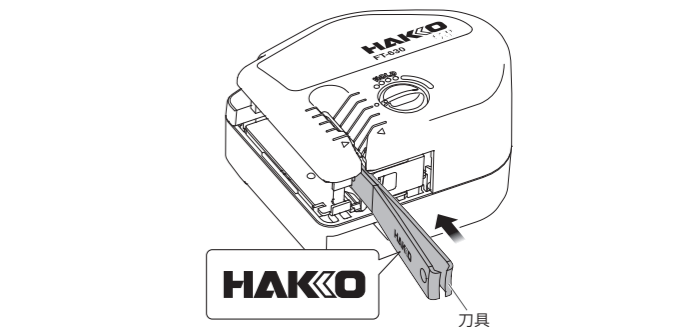
本表格根据 SJ/T 11364 的规定编制。
○：表示该有害物质在该部件所有均质材料中的含量均在 GB/T 26572 规定的限量要求以下。
×：表示该有害物质至少在该部件的某一均质材料中的含量超出 GB/T 26572 规定的限量要求。

安装刀具

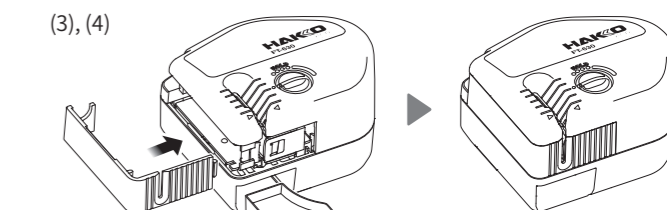
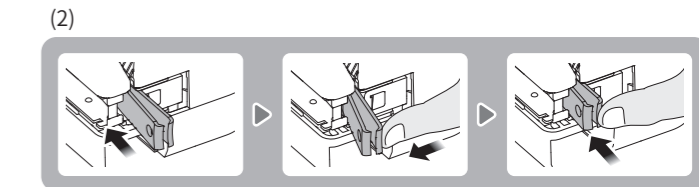
注意

- 插入刀具时小心不要伤到手指。
- 如果刀具无法插入，请勿强行插入。

- (1) 按下图所示方向将刀具插入主机中。



- (2) 如下图所示，将刀片的一侧推向另一侧，然后将刀具完全插入主机中。
- (3) 安装前护盖。
- (4) 安装吸锡线收集盒。



HAKKO CORPORATION

HEAD OFFICE
4-5, Shiokusa 2-chome, Naniwa-ku, Osaka 556-0024 JAPAN
TEL: +81-6-6561-3225 FAX: +81-6-6561-8466
<https://www.hakko.com> E-mail: sales@hakko.com

OVERSEAS AFFILIATES
U.S.A.: AMERICAN HAKKO PRODUCTS, INC.
TEL: (661) 294-0090 FAX: (661) 294-0096
Toll Free (800) 88-HAKKO
<https://www.HakkoUSA.com> E-mail: Support@HakkoUSA.com

HONG KONG: HAKKO DEVELOPMENT CO., LTD.
TEL: 2811-5588 FAX: 2590-0217
<https://www.hakko.com.cn> E-mail: info@hakko.com.hk

SINGAPORE: HAKKO PRODUCTS PTE., LTD.
TEL: 6748-2277 FAX: 6744-0033
<https://www.hakko.com.sg> E-mail: sales@hakko.com.sg

Please access the code for overseas distributors.
https://www.hakko.com/doc_network



© 2024-2025 HAKKO Corporation. All Rights Reserved.