



HAKKO 373 **SELF FEEDER**

SELF FEEDER

Instruction Manual



Thank you for purchasing the HAKKO 373 Self Feeder.
Please read this manual carefully before operating the HAKKO 373.
Store the manual in a safe, easily accessible place for future reference.



TABLE OF CONTENTS

PRECAUTIONS	1
SPECIFICATIONS.....	1
PART NAMES	2
ASSEMBLY	3
OPERATION	6
TROUBLESHOOTING	9
REPLACEMENT PARTS.....	10
OPTIONS & REPLACEMENT PARTS	11
PARTS LIST	13

PRECAUTIONS

CAUTION

- Setting up should be done while the soldering iron is cool, or you may get burnt.
- Do not force the guide pipe bend or turn as this may result in damage.
- Do not operate with tube bending or holding in sharp angle. It may cause to clogging.
- Input of switching is no-voltage input. Do not apply voltage to the jack for switch.
- Periodically, remove the guide pipe and clean out clogged flux.
- Do not force the adjustment screw to adjust the amount of solder return. It may cause to damage.
- This appliance is not intended for use by persons (including children) with reduced physical, sensory or mental capabilities, or lack of experience and knowledge, unless they have been given supervision or instruction concerning use of the appliance by a person responsible for their safety.
- Children should be supervised to ensure that they do not play with the appliance.

SPECIFICATIONS

● Specifications

Power Consumption	6 W
Motor Rate	DC 24 V 3.2W
Solder Feed Time	0~7 sec.
Solder Feed Speed	4.5~26 mm (0.14~1 in.)/sec.
Solder Feed Quantity	0~182 mm (0~7.2 in.)
Solder Return Quantity	0~5 mm (0~0.2 in.) (Fixed Speed)
Outer Dimensions	107(W) x 110(H) x 215(D)
Weight	Approx.1.5 kg/3.3 pounds

* This product is protected against electrostatic discharge. (See page 9 "CAUTION")

* Specifications and design are subject to change without notice.

● Usable Solder

Usable solders are as follows. Some of the parts should be changed according to the diameter of solder desired to use.

CAUTION

1.6 mm dia. lead free solder is not available for use.

Dia. of solder	0.6 (0.024), 0.65 (0.025), 0.8 (0.031) 1.0 (0.039), 1.2 (0.047), 1.6 (0.063)
----------------	---

Unit: mm (in.)

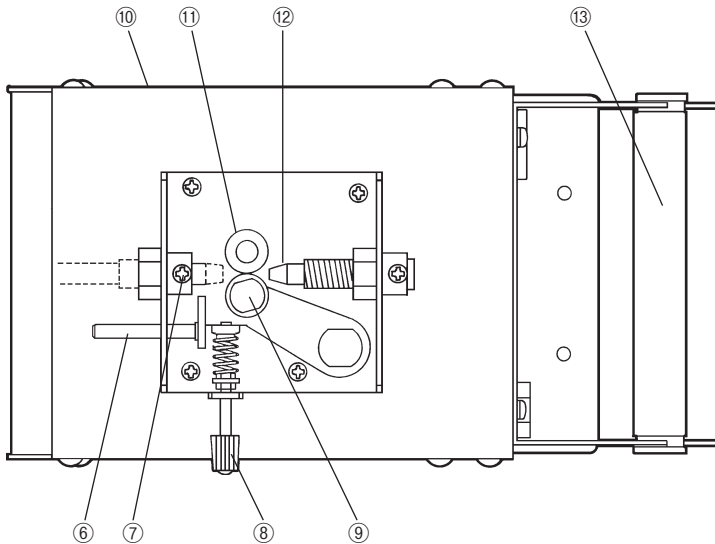
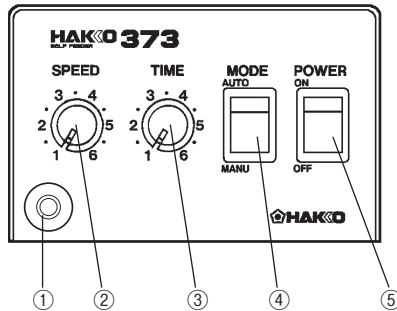
Maximum quantity of usable solder is 1 kg (2.2 pounds).

● Usable Soldering Iron

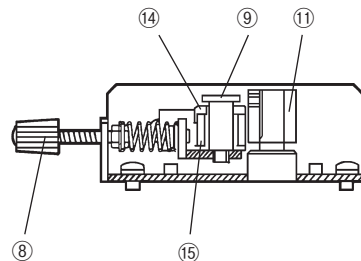
Soldering Iron
FM-2027 (For FM-203, 204, 205)
FM-2028 (For FX-950, 951, 952)
FX-8301 (For FX-838)
FM-2030 (For FM-206)
FX-8801 (For FX-888D, 889)
FX-8805 (For FX-888D, 889)
FX-8002 (For FX-801)
FX-1001 (For FX-100)
FN-1101 (For FN-1010)
FX-8004 (For FX-805)
FX-9701 (For FX-971, 972)
FX-9707 (For FX-972)

PART NAMES

- ① Jack for Switch
- ② Feed Speed Control Knob
- ③ Feed Time Control Knob
- ④ Mode Switch
- ⑤ Power Switch
- ⑥ Release Lever
- ⑦ Securing Screw
- ⑧ Tension Adjustment Knob
- ⑨ Tension Gear Guide Shaft



- ⑩ Adjustment for the amount of solder return
- ⑪ Feed Gear
- ⑫ Supply Nozzle
- ⑬ Solder Bobbin Shaft
- ⑭ Solder Dia. Adjustment Ring
- ⑮ Tension Gear



ASSEMBLY

Make sure the selected guide pipe assembly or tube unit matches the soldering iron and solder diameter to be used.

CAUTION

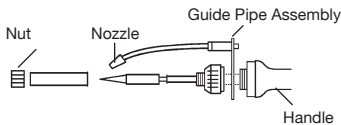
- Setting up should be done while the soldering iron is cool, or you may get burnt.
- Do not force the guide pipe bend or turn as this may result in damage.
- Do not operate with tube bending or holding in sharp angle. It may cause to clogging.

Top-feed type

(1) Attaching the Guide Pipe Assembly

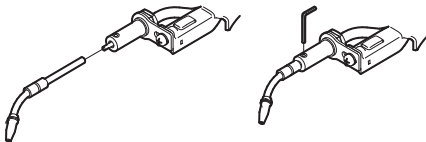
• FX-8801, FX-8805

Attach the guide pipe assembly between the nipple (or nut) and handle, and secure it.



• Others

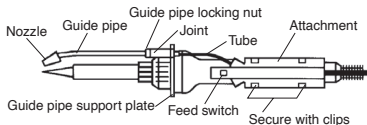
Please insert the guide pipe assembly directly in the tube unit, and tighten lightly with a hex wrench (M3).



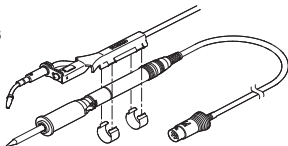
(2) Attaching the Tube Unit

• FX-8801, FX-8805

Attach the attachment and guide pipe referring to the following figure.



• Others



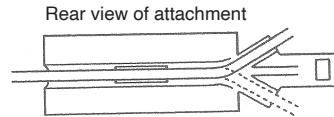
(a) Attach the Tube to Guide Pipe Assembly.

The tube is double structure. Insert the inside tube into the joint and pass the outer tube over the outside of the joint so that it covers the threaded portion. Do not bend the tube.

(b) Attach the Attachment to the Soldering Iron.

1. Decide from which side of the attachment you will pass the tube.

Then, position the attachment so that the tube connects to the guide pipe as straight as possible.

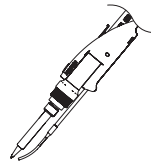


The tube can be passed through either the left or the right side of the attachment.

When changing the tube, be careful not to damage the internal wiring.

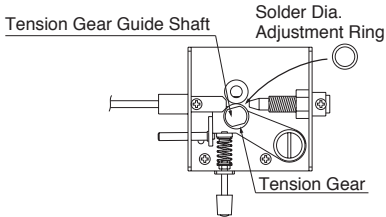
2. Secure the attachment with the handle and the adhesive tape on the rear of the attachment.

Bottom-feed type



Refer to the instruction manual included with the bottom-feed type tube unit for attachment methods. (Refer to "6. OPTIONS & REPLACEMENT PARTS" for the part number)

4-1. Install the Solder Dia. Adjustment Ring



1. Remove the tension gear guide shaft.
2. Attach the solder dia. adjustment ring according to the diameter of your desired solder and attach the tension gear guide shaft.

4-2. Connect the Feed Nozzle

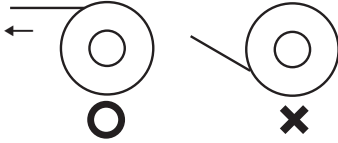
Insert the feed nozzle into the feed unit on the top of the station and tighten the set screw. Do not tighten the set screw excessively or you may crack the tube.

4-3. Connect the Mini Plug

Insert the mini plug into the jack on the front of the station.

ASSEMBLY

4-4. Setting the Solder



If there is any solder in the tube, remove it before installing the new solder.

- Pass the solder bobbin shaft through the solder bobbin and attach the shaft to the rear of the station. As shown left, attach the shaft so that the solder is fed from the top of the bobbin.
- Pass the solder through the supply nozzle.
- With pressing release lever, put the inserted solder of approx. 10 mm (0.4 in.) into the feed nozzle through between tension gears.
- Turn the power switch ON and set the mode to **MANUAL**.
- Pressing the feed switch (or footswitch), and feed the solder.

4-5. Changing the Solder Diameter

The following parts may need to be changed in order to accommodate a change in the solder diameter or type of soldering iron used.

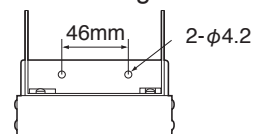
- | | |
|--|------------------------------------|
| <input type="checkbox"/> Solder dia. adjustment ring | <input type="checkbox"/> Nozzle |
| <input type="checkbox"/> Guide pipe assembly | <input type="checkbox"/> Tube unit |

Change these parts as necessary according to the procedure below.

- Power switch off. Open the release lever and roll back the left solder to the bobbin.
- Remove the tension gear guide shaft, and replace the solder dia. adjustment ring according to desired solder dia. Remove the tension gear guide shaft turning with a spanner or pliers.
- Replace the guide pipe assembly if it is necessary.

4-6. Vertical Mounting

The HAKKO 373 can be mounted vertically. Mount as shown in the figure.



OPERATION

Solder will be fed by pressing the feed switch (or foot switch).

■ MODE

AUTO MODE

If you press the feed switch, solder will be fed with set time and speed independently of length of pressing time.

MANUAL MODE

Solder will be fed with set speed during pressing the feed switch.

■ Adjustment of the Nozzle Position

If there is a solder in the guide pipe, pull it out of the pipe and then adjust the nozzle position.

- (a) Loosen the pipe securing nut, turn the guide pipe to adjust the nozzle position, and then tighten the loosened pipe securing nut.

CAUTION

Do not over tighten the pipe securing nut. Otherwise, the guide pipe can break. This adjustment must be done during the iron tip is cold. Otherwise, you may suffer burns.

■ Setting for Feed Time and Feed Speed

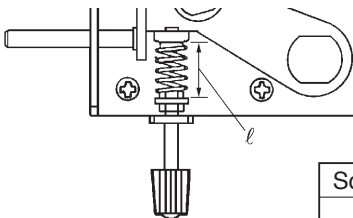
Set the speed before the time. For the setting speed, both **AUTO** & **MANUAL** are effective, but only **AUTO** is effective for setting time.

■ Adjustment of Tension

When adjust the tension, be sure that not the gear to be slipped during feed solder, or do not force to feed solder slipping gear when solder clog.

Set the tension gear loosely for fine solder ($\phi 0.6\text{mm}$, $0.8\text{mm}/0.024\text{ in.}$, 0.031 in.).

Refer to the following chart.



Solder Dia.	$\phi 0.6\text{mm}$	$\phi 1.0\text{mm}$	$\phi 1.6\text{mm}$
l	maximum	14mm	10mm

OPERATION

■ Adjustment for the Amount of Solder Return

After feed solder, the specified length of solder can be returned. Soldering robots may need this solder return function. Amount of solder return is adjustable within 0~5 mm (0~0.2 in.). Solder should be taken up if the amount of solder return is bigger than the amount of solder feed. Please set the amount of solder return as small as possible. If the tip of the returning solder reaches to the nozzle, flux will easily accumulate on it. Do not set the return amount causing this condition. To adjust the return amount, insert a driver into a adjustment hole on the side of the station. Turn the driver left for smaller or turn it right for bigger amount.

■ Usage of Iron stand

Top-feed type

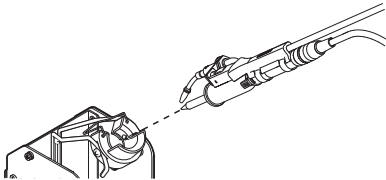
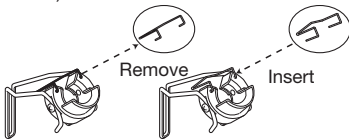
- FX-1001
- FX-8801, FX-8805

These can be used as they are.

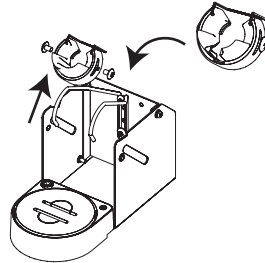


• Others

Exchange with the optional retaining clip. (Refer to "6. OPTIONS & REPLACEMENT PARTS/Replacement parts & options (Top-feed type)" for the part number)



Bottom-feed type



Refer to the instruction manual included with the bottom-feed type iron receptacle for attachment methods. (Refer to "6. OPTIONS & REPLACEMENT PARTS" for the part number)

TROUBLESHOOTING

If the solder can not be fed smoothly, please check following points.

- Are you using proper parts according to the diameter of solder?
- Did you adjust the tension properly?
- Is the tube bent or transformed?
- Is solder adhered at the feed gear or the tension gear?
- Is the nozzle clogged with flux?
- Is the mini-plug correctly connected?
- Is the fuse blown?
- Is the power cord correctly connected?

CAUTION

■ Handling precautions for ESD Safe products

This product contains electrostatic countermeasures, so please use the following precautions:

1. Not all plastic parts are insulators, they may be conductive. Be careful not to expose live electrical parts or damage insulating materials when performing repairs or replacing parts.
2. Be sure the product is grounded before use.

- 各言語（日本語、英語、中国語、フランス語、ドイツ語、韓国語）の取扱説明書は以下の URL、HAKKO Document Portal からダウンロードしてご覧いただけます。
（商品によっては設定の無い言語がありますが、ご了承ください。）
- 各國語言（日語、英語、中文、法語、德語、韓語）的使用說明書可以通過以下網站的 HAKKO Document Portal 下載參閱。
（有一部分的產品沒有設定外語對應、請見諒）
- Instruction manual in the language of Japanese, English, Chinese, French, German, and Korean can be downloaded from the HAKKO Document Portal.
(Please note that some languages may not be available depending on the product.)

➡ <https://www.hakko.com/english/support/doc/>

REPLACEMENT OF PARTS

1. When you change the Solder Diameter

Please replace the parts indicated on the following chart when you change solder diameter.

Changing matter	Solder Dia. Adjustment Ring	Nozzle	Guide Pipe	Tube Unit
From the range of 0.6~1.0mm to the range of 0.6~1.0mm	replace	replace	same	same
From the range of 1.2~1.6mm to the range of 1.2~1.6mm	replace	replace	same	same
From the range of 0.6~1.0mm to the range of 1.2~1.6mm	replace	replace	replace	replace
From the range of 1.2~1.6mm to the range of 0.6~1.0mm	replace	replace	replace	replace

OPTIONS & REPLACEMENT PARTS

Setup options (Top-feed type)

Applicable soldering iron	Dia. of Solder (ø)	Solder Dia. Adjustment Ring	Guide Pipe Asse'y	Tube Unit
FM-2030 FN-1101 FX-9701	0.6 mm, 0.65 mm	B1626	B3726	B3477
	0.8 mm	B1627	B3727	
	1.0 mm	B1628	B3728	
	1.2 mm	B1629	B3729	B3478
FM-2027 FM-2028 FX-1001 * The B5183 spacer is required for FX-1001.	0.6 mm, 0.65 mm	B1626	B3481	B3477
	0.8 mm	B1627	B3482	
	1.0 mm	B1628	B3483	
	1.2 mm	B1629	B3484	B3478
FX-8002 FX-8004 FX-9707	0.6 mm, 0.65 mm	B1626	B5072	B3477
	0.8 mm	B1627	B5073	
	1.0 mm	B1628	B5074	
	1.2 mm	B1629	B5075	B3478
FX-8301	0.6 mm, 0.65 mm	B1626	B3566	B3563
	0.8 mm	B1627	B3567	
	1.0 mm	B1628	B3568	
	1.2 mm	B1629	B3569	B3564
	1.6 mm	B1630	B3570	
FX-8801	0.6 mm, 0.65 mm	B1626	B2146	B2143
	0.8 mm	B1627	B2147	
	1.0 mm	B1628	B2148	
	1.2 mm	B1629	B2149	B2144
	1.6 mm	B1630	B2150	
FX-8805	0.6 mm, 0.65 mm	B1626	B2151	B2143
	0.8 mm	B1627	B2152	
	1.0 mm	B1628	B2153	
	1.2 mm	B1629	B2154	B2144
	1.6 mm	B1630	B2155	

Setup options (Bottom-feed type)

* The bottom-feed types are not compatible with $\phi 1.6$.

Applicable soldering iron	Dia. of Solder (ø)	Solder Dia. Adjustment Ring	Guide Pipe Asse'y	Tube Unit	Iron Receptacle
FM-2030 FN-1101 FX-8002 FX-8301	0.6 mm, 0.65 mm	B1626	B5272	C5058	B5265
	0.8 mm	B1627	B5273		
	1.0 mm	B1628	B5274		
	1.2 mm	B1629	B5275	C5059	
FM-2027 FM-2028	0.6 mm, 0.65 mm	B1626	B5268	C5056	
	0.8 mm	B1627	B5269		
	1.0 mm	B1628	B5270		
	1.2 mm	B1629	B5271	C5057	
FX-1001	0.6 mm, 0.65 mm	B1626	B5268	C5056	
	0.8 mm	B1627	B5269		
	1.0 mm	B1628	B5270		
	1.2 mm	B1629	B5271	C5057	
FX-8801 FX-8805	0.6 mm, 0.65 mm	B1626	B5272	C5058	B5267
	0.8 mm	B1627	B5273		
	1.0 mm	B1628	B5274		
	1.2 mm	B1629	B5275	C5059	
FX-8004 FX-9701 FX-9707	0.6 mm, 0.65 mm	B1626	B5272	C5058	
	0.8 mm	B1627	B5273		
	1.0 mm	B1628	B5274		
	1.2 mm	B1629	B5275	C5059	

Replacement parts & options (Top-feed type)

Part No.	Part Name	Dia. of Solder	Note
B1699	Nozzle	0.6 mm	-
B1700	Nozzle	0.8 mm	-
B1701	Nozzle	1.0 mm	-
B1702	Nozzle	1.2 mm	-
B1703	Nozzle	1.6 mm	-
B1704	Guide Pipe A	0.6 ~ 1.0 mm	FX-8801
B1705	Guide Pipe B	1.2 ~ 1.6 mm	
B1706	Guide Pipe C	0.6 ~ 1.0 mm	FX-8805
B1707	Guide Pipe D	1.2 ~ 1.6 mm	
B1708	Guide Pipe E	0.6 ~ 1.0 mm	FX-8301
B1709	Guide Pipe F	1.2 ~ 1.6 mm	
B3485	Guide Pipe J	0.6 ~ 1.0 mm	FM-2027, FM-2028, FX-1001
B3486	Guide Pipe K	1.2 mm	
B2158	Clip C/1 pc.	-	FX-8301, FX-8801, FX-8805
B3487	Clip D	-	FM-2027, FM-2028, FM-2030, FN-1101, FX-1001, FX-8002, FX-8004, FX-9701, FX-9707
B3489	Retaining clip	-	FH-101, FH-200, FH-201, FH-210, FH-215, FH-220

Replacement parts & options (Bottom-feed type)

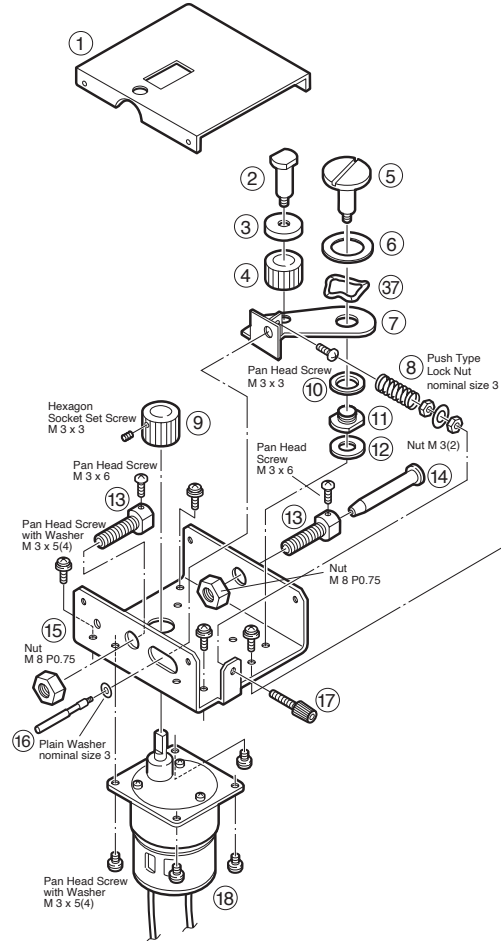
Part No.	Part Name	Dia. of Solder	Note
B2791	Retaining clip	-	FH-101, FH-200, FH-201, FH-210, FH-800, FH-801, FH-215, FH-220
B5283	Hexagon wrench/Opposite side 1.5 mm	-	-

Replacement parts

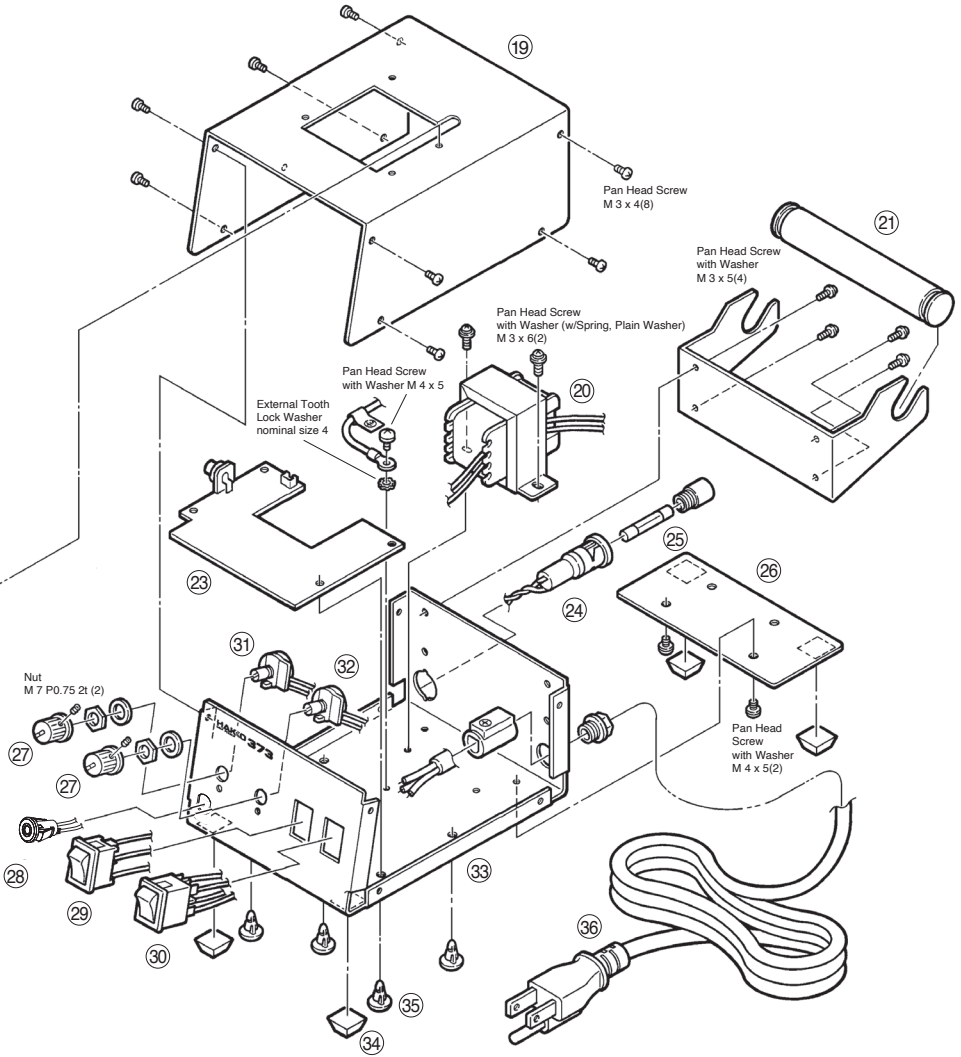
Part No.	Part Name	Dia. of Solder	Note
B1649	Foot Switch	-	-
B1863	Mini-plug	-	-
C1234	Feeder Pen A	0.6 ~ 1.0 mm	-
C1235	Feeder Pen B	1.2 ~ 1.6 mm	-
B2124	Feeder Switch	-	-
B5285	Beaded cable tie/5 bands	-	-

PARTS LIST

Item No.	Part No.	Part Name	Description
1	B1897	Cover for Feeding Unit	
2	B1882	Tension Gear Guide Shaft	
3	B1626	Solder Dia. Adjustment Ring	for 0.6, 0.65mm
	B1627	Solder Dia. Adjustment Ring	for 0.8mm
	B1628	Solder Dia. Adjustment Ring	for 1.0mm
	B1629	Solder Dia. Adjustment Ring	for 1.2mm
	B1630	Solder Dia. Adjustment Ring	for 1.6mm
4	B1885	Tension Gear	
5	B1886	Tension Lever Fixing Shaft	
6	B1908	Washer	for Wave Washer
7	B1894	Tension Lever	w/Screw
8	B1883	Tension Spring	
9	B1881	Feed Gear	w/Screw
10	B1887	Washer	for Tension Lever Fixing Guide
11	B1888	Tension Lever Fixing Guide	
12	B1889	Tension Lever Fixing Washer	
13	B1890	Nozzle Support	w/Nut, Screw
14	B1892	Supply Nozzle	
15	B1891	Motor Fixing Plate	
16	B1893	Release Lever	w/Washer
17	B1884	Tension Adjustment Knob	w/Nuts
18	B1880	Motor	
19	B1898	Cover	
20	B1900	Transformer	100V-24V
	B1909	Transformer	110V-24V
	B1910	Transformer	120V-24V
	B1911	Transformer	220, 230V-24V
	B1912	Transformer	240V-24V
21	B1901	Solder Bobbin Shaft	
22	B1902	Solder Bobbin Support	
23	B1899	P.W.B.	w/Potentiometers
24	B1041	Fuse Holder	w/o Fuse
	B1134	Fuse Holder (S)	w/o Fuse
25	B1907	Fuse	125V-1A/100,110,120V
	B1138	Fuse	250V-1A/220,230,240V
	B1139	Fuse	250V-1A (S) /220,230V
26	B1895	Chassis Support Plate	w/Rubber Stoppers
27	B1904	Knob	
28	B5131	Mini Jack	
29	B1906	Switch	
30	B1487	Power Switch	100-120V
	B2604	Power Switch	220-240V
31	B1197	Potentiometer for Feed Speed Control	5K Ω , w/Nut
32	B1905	Potentiometer for Feed Time Control	1M Ω , w/Nut
33	B1896	Chassis	w/Rubber Stoppers
34	B1037	Rubber Stopper	Set of 4
35	B1114	Locking Spacer	Set of 4
36	B1163	3 wired cord & American plug	100V
	B1007	3 wired cord but no plug	
	B1168	3 wired cord & American plug	For U.S.A.
	B1169	3 wired cord & European plug	
	B1214	3 wired cord & Australian plug	
	B1964	3 wired cord & BS plug	
	B2087	3 wired cord & BS plug	CE
B3509	3 wired cord & American plug		
37	B2684	Wave Washer	



Note: Spare or repair parts do not include mounting screws, if they are not listed on the description. Screws must be ordered separately.





HAKKO CORPORATION

HEAD OFFICE

4-5, Shioikusa 2-chome, Naniwa-ku, Osaka 556-0024 JAPAN

TEL: +81-6-6561-3225 FAX: +81-6-6561-8466

<https://www.hakko.com> E-mail: sales@hakko.com

OVERSEAS AFFILIATES

U.S.A.: AMERICAN HAKKO PRODUCTS, INC.

TEL: (661) 294-0090 FAX: (661) 294-0096

Toll Free (800) 88-HAKKO

<https://www.HakkoUSA.com> E-mail: Support@HakkoUSA.com

HONG KONG: HAKKO DEVELOPMENT CO., LTD.

TEL: 2811-5588 FAX: 2590-0217

<https://www.hakko.com.cn> E-mail: info@hakko.com.hk

SINGAPORE: HAKKO PRODUCTS PTE., LTD.

TEL: 6748-2277 FAX: 6744-0033

<https://www.hakko.com.sg> E-mail: sales@hakko.com.sg

Please access the code for overseas distributors.

https://www.hakko.com/doc_network



© 2000-2023 HAKKO Corporation. All Rights Reserved.

2023.02
MA00004XZ230213